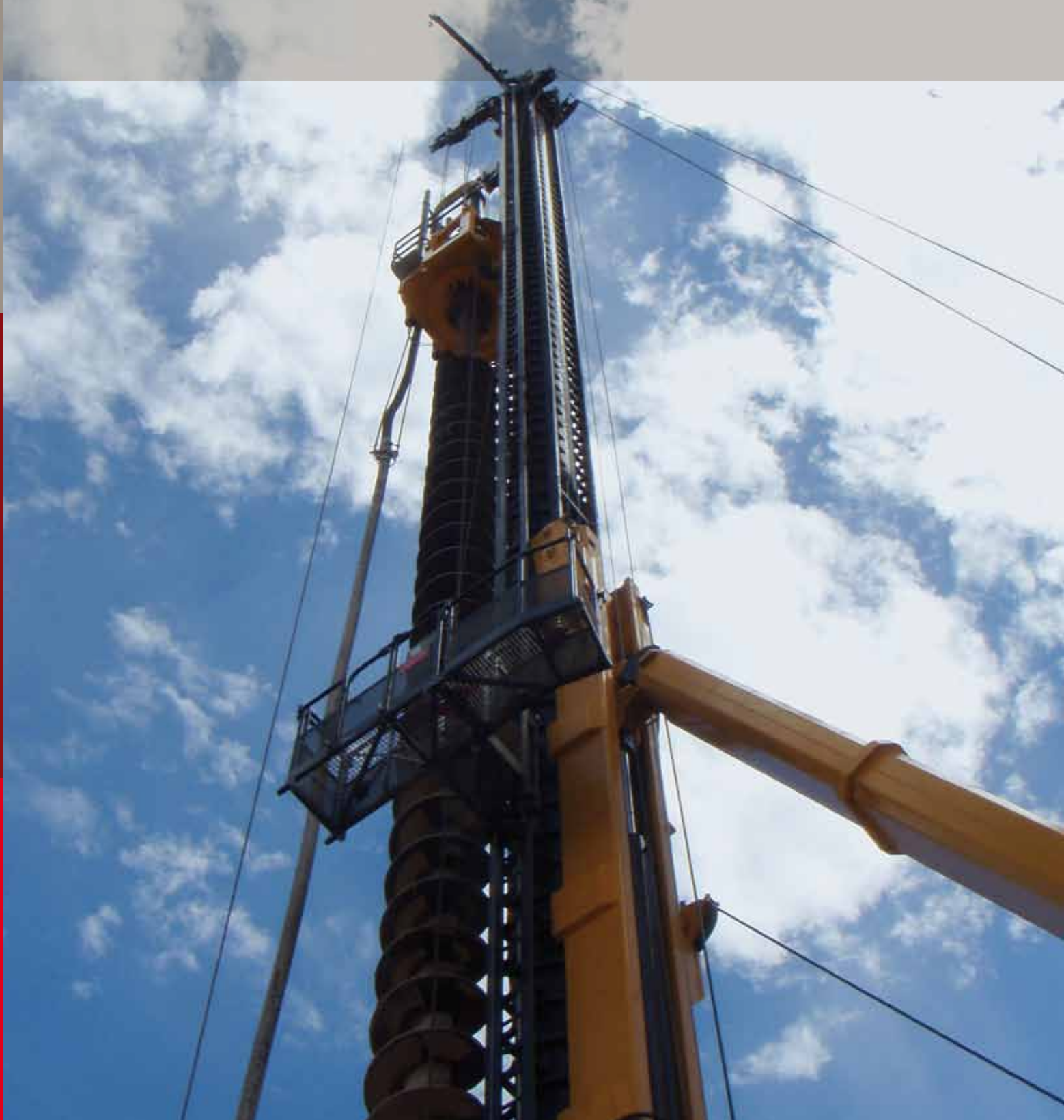


IHC Fundex Equipment®

Specialists in piling and drilling equipment



The technology innovator.



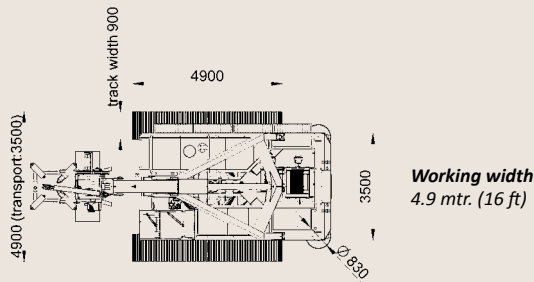
F2200 Hydraulic foundation machine

The F2200 is the latest machine of the new line of IHC Fundex. The F2200 is designed as a versatile machine and can be used for different drilling and pile driving methods. Because the leader is foldable and the steel cables remain sheaved during the transport, the F2200 can be installed very quickly. Most types of hydraulic impact hammers and rotary heads can remain on the machine during transport. This reduces the time of installation. The new F2200 is equipped with a powerful Deutz V6 turbo charged diesel engine. Hydraulic rotary heads, impact hammers and vibratory hammers can be powered directly by the hydraulic system of the F2200. The strong and tubular type leader allows a maximum torque of 250 kNm (188.000 ft-lbs) over the full length.

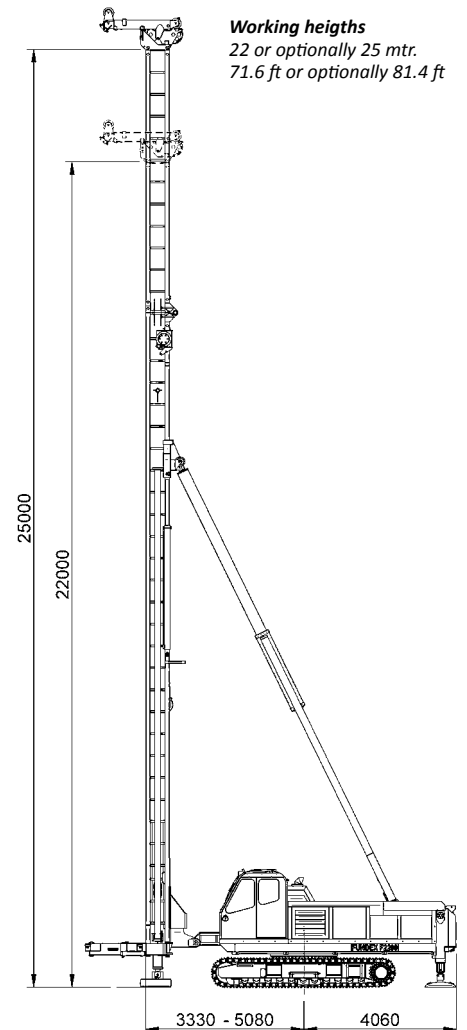
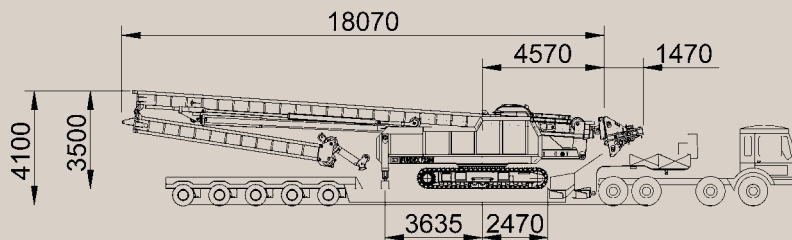
IHC Fundex F2200

Technical specifications F2200

Engine	Deutz V6
Engine output	450 HP / 330 kW
Hydraulics	Rexroth, max 400 - 550 ltr / min at 320 bar
Winches	1x 12,5 metric tons (pull up of rotary head) 1x 10 metric tons (pull down or pile lifting) 1x 3 metric tons (auxiliary purpose) 1x 0,9 metric tons (optional for man-lift)
Optional	Upon request some alternative winches can be offered
Pull down capacity	20 tons
Pull up capacity	50 tons (optionally 60 tons with 15 tons winch)
Leader lengths	Standard length 22 mtr. (71,6 ft) Optional 25 mtr. (81.4 ft)
Spotter stroke	1,75 mtr. (5.7 ft) horizontal movement of the leader
Transport weight	65 metric tons (143.300 lbs) incl. full leader, FDE 25 rotary and counterweights 62 metric tons (136.700 lbs) incl. full leader and incl. counterweights 50 metric tons (110.000 lbs) incl. full leader but excl. the counterweights
Options	Telescopic arm on top of the leader, man-lift, automatic greasing system, airconditioned cabin



Transport dimensions
(excluding rotary head or impact hammer)
Length 18.1 mtr. (59,1 ft)
Width 3.5 mtr. (11,4 ft)
Height 3.5 mtr. (11,4 ft)



No rights can be attached to the mentioned specifications and dimensions in this catalogue because they can be changed as a result of new developments without further notifications. All data is subject printing and conversion errors.



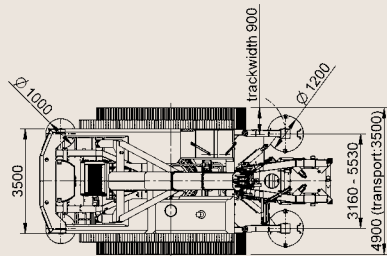
F2800 Hydraulic foundation machine

The F2800 is a hydraulic powered foundation machine that can be used for different drilling and pile driving methods. Due to the variable hydraulic pump, the machine is fast in its operation. The undercarriage is strong and the machine is equipped with four hydraulic jacks (supports) which makes it one of the most solid foundation machines available in the world. The machine is offered with a strong and reliable Deutz V8 engine. Hydraulic rotary heads, impact and vibratory hammers can be powered directly by the hydraulic system of the F2800. An additional power pack is hardly ever necessary. The strong and tubular type leader allows a very impressive torque of 450 kNm (>300.000 ft-lbs) all from the top till the bottom.

IHC Fundex F2800

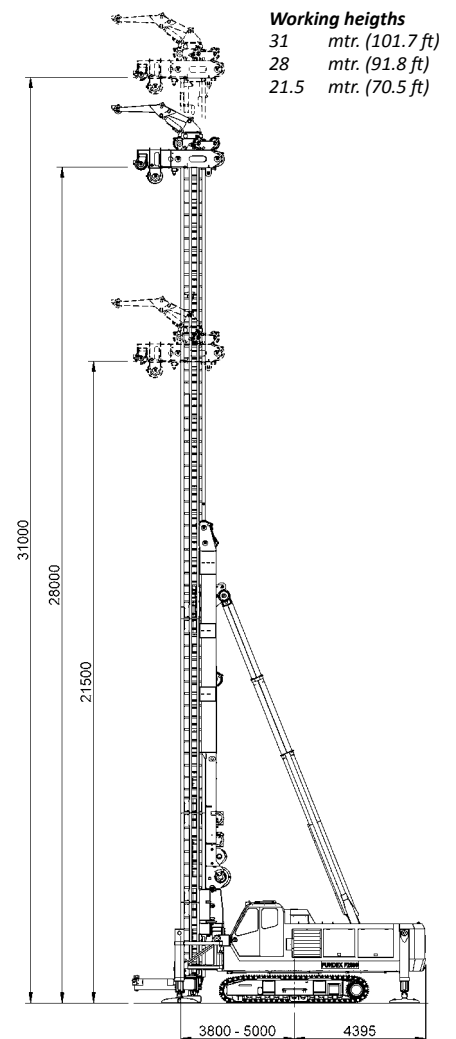
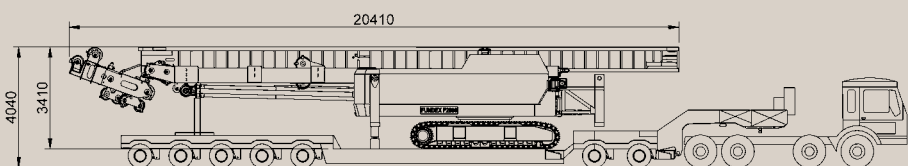
Technical specifications F2800

Engine	Deutz V8
Engine output	600 HP / 440 kW
Hydraulics	Rexroth, max 550 - 700 ltr / min at 320 bar
Winches	1x 12,5 metric tons (vertical leader movement) 2x 10 metric tons (pull up and pull down) 1x 5 metric tons (optional for JIB) 1x 1,5 metric tons (auxiliary) 1x 0,9 metric tons (optional for man-lift)
Pull down capacity	40 metric tons
Pull up capacity	80 metric tons
Leader lengths	21.5, 28 and optionally 31 mtr. (70 ft, 91 ft and optionally 101 ft)
Spotter stroke	1.2 mtr. (almost 4 ft) horizontal movement of the leader
Transport weight	68 metric tons (149.900 lbs) incl. one counterweight and incl. tracks 65 metric tons (143.300 lbs) excl. all counterweights but incl. tracks 50 metric tons (110.000 lbs) excl. all counterweights and tracks
Options	JIB, man-lift, automatic grease system, airconditioned cabin



Working width
4.9 mtr. (16 ft)

Transport dimensions
(excl. pull down frame and front counterweight)
Length 20.4 mtr. (67.2 ft)
Width 3.5 mtr. (11.4 ft)
Height 3.5 mtr. (11.4 ft)



No rights can be attached to the mentioned specifications and dimensions in this catalogue because they can be changed as a result of new developments without further notifications. All data is subject printing and conversion errors.



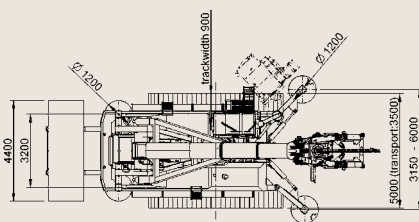
F3500 Hydraulic foundation machine

The F3500 is one of the biggest and strongest machines offered by IHC Fundex. The F3500 is also a fully hydraulic powered foundation machine that can be used for different drilling and pile driving methods. The F3500 is offered with a reliable 6 cylinder, turbo charged and watercooled DEUTZ diesel engine. To prevent a very high transport weight and due to the limited space the F3500 is not offered with a V8 engine as installed in the F2800. The F3500 is mostly used with a separate power pack, which can be installed easily on the beams that are mounted at the rear. In that way the power pack functions as additional counterweight. The F3500 is designed to be used with different equipment such as hydraulic rotary heads, impact and vibratory hammers. The strong and tubular type leader allows a very impressive torque of 450 kNm (>300.000 ft-lbs) all from the top till the bottom.

IHC Fundex F3500

Technical specifications F3500

Engine	Deutz 6 cylinder, turbo charged diesel
Engine output	280 HP / 205 kW
Hydraulics	Rexroth, 275 - 300 ltr / min at 320 bar
Winches	1x 15 metric tons (vertical leader movement) 2x 12,5 metric tons (pull up and pull down) 2x 5 metric tons (pile handling and JIB) 1x 1,5 metric tons (auxiliary) 1x 0,9 metric tons (optional for man-lift)
Pull down capacity	50 metric tons
Pull up capacity	100 metric tons
Leader lengths	25, 35 and optionally 40 mtr. (82 ft, 114 ft and optionally 131 ft)
Spotter stroke	1.5 mtr. (almost 5 ft) horizontal movement of the leader
Transport weight	79 metric tons (175.400 lbs) incl. one counterweight and incl. tracks 74 metric tons (165.300 lbs) excl. all counterweights but incl. tracks 62 metric tons (136.700 lbs) excl. all counterweights and tracks
Options	JIB, man-lift, automatic grease system, airconditioned cabin



Working width
5.0 mtr. (16.4 ft)

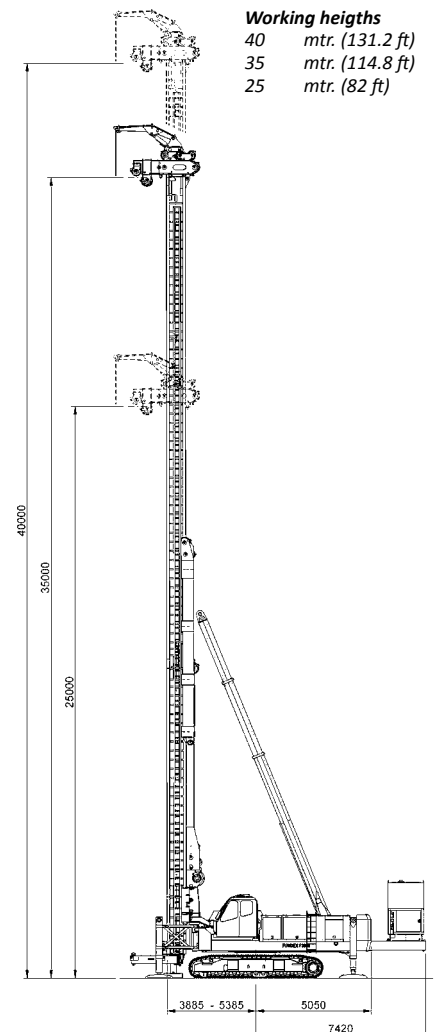
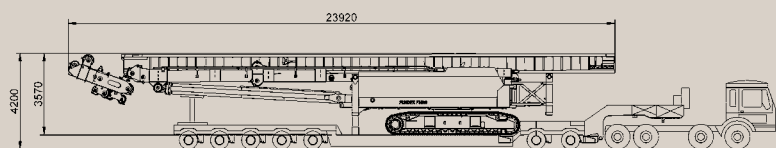
Transport dimensions

(excl. pull down frame and front counterweight)

Length 20.4 mtr. (67.2 ft)

Width 3.5 mtr. (11.4 ft)

Height 3.5 mtr. (11.4 ft)



No rights can be attached to the mentioned specifications and dimensions in this catalogue because they can be changed as a result of new developments without further notifications. All data is subject printing and conversion errors.



FDE Hydraulic rotary heads

The IHC Fundex rotary heads distinguish themselves, by having a dynamic run together with a great torque. IHC Fundex is one of few companies that has lots of experience with different soil displacement drilling methods. The durability required for these methods is also used in the CFA rotary heads. There is a complete range of rotary heads which can be used for several applications and can be installed on several brands of machines. The range consists of rotary heads with a torque of 90 kNm up to 470 kNm (65.000 ft-lbs up to 355.000 ft-lbs). The heavier rotary heads are often powered by an IHC FUNDEX power pack. The experience with the soil displacement drilling methods is one of the things that ensures the high quality and incredible durability of the IHC Fundex Equipment. Upon request IHC Fundex can offer special hydraulic clamping systems for installation on the rotary heads as well. The clamping systems are sometimes used to increase the pile length.

IHC Fundex FDE, FPP & FVE

FPP Hydraulic power packs

IHC Fundex offers power packs in a range of 400 till 770 HP. All of these power packs have got Rexroth hydraulics installed and meet the latest emission classifications. The power packs have recently been redesigned and are now equipped with the latest Volvo Penta diesel engines. The new variable pump makes it even easier to use the power packs for different applications, because it is easy to regulate the oilflow. The IHC Fundex power packs are generally used to power hydraulic rotary heads, impact hammers, ringvibrators and conventional vibratory hammers. All power packs are equipped with additional quick couplings. It is possible to connect a hydraulic impact hammer and a ringvibrator at the same time. The power packs always have a special manifold and electronic preparations that are necessary for the IHC Fundex rotary heads. The control box has a small size and is easy to operate. The doors of the power packs are fitted with oilproof, sound isolation material that is protected by a special steel cover to prevent damage and to guarantee a long lasting quality. All connections and couplings are installed within the frame to protect them from damages during the work or transport. Optionally the power packs can be offered with features such as electric preheating systems (for cold climates) or additional hydraulic functions necessary to use the power pack for a wide range of different impact hammers.



FVE Hydraulic ringvibrators

IHC FUNDEX offers a few different ringvibrators. They can be divided in two categories. The FVE 36DRF is a model designed for the installation and the extraction of open and closed end tubes. The FVE 36DRF is designed in a way that the pull down of the rotary heads can be used to pull the ringvibrator down during the installation of tubes as well. The use of pull down results in a better driveability. The other models (FVE 50HD and FVE60) are designed for the extraction of tubes only. They are used in cast in situ operations where the tubes with closed end are first driven into the ground with help of an impact hammer.



No rights can be attached to the mentioned specifications and dimensions in this catalogue because they can be changed as a result of new developments without further notifications. All data is subject printing and conversion errors.



Specials & customized equipment

IHC Fundex is regularly asked to design and manufacture a machine or piece of equipment according to specific restrictions of a certain project or the special requirements of a customer. Our acquired knowledge and experience of pile driving and drilling is used to offer solutions for many different projects. IHC Fundex has supplied several separate leaders for offshore pile driving operations and rock breaking projects. IHC Fundex has also built a number of machines for jobsites with restricted access and limited headroom.

IHC Fundex Equipment & Service



Service means service

IHC Fundex has an established reputation in being flexible and in providing excellent service. Maintenance, service, modifications and repairs to all kinds of pile driving and drillings rigs are performed all over the world. Flexibility, a good diagnose and a quick response are the key words to describe our service team. All of the activities are controlled and directed from our office in Goes, the Netherlands. All technicians are highly skilled and have lots of experience with different pile driving and drilling machines and accessories. They are supported with the wide stock of spare parts to which they have access. Our service team is specialized in improvising and they love a good challenge.

No rights can be attached to the mentioned specifications and dimensions in this catalogue because they can be changed as a result of new developments without further notifications. All data is subject printing and conversion errors.



10310UK

IHC Merwede

Head Office - The Netherlands
Sliedrecht

Shipyards - The Netherlands
Hardinxveld-Giessendam
Heusden
Kinderdijk
Krimpen aan de IJssel
Sliedrecht

Shipyards - P.R. of China
Dalian

Shipyards - Serbia
Belgrade

Sites - The Netherlands
Alblasserdam
Apeldoorn
Delfgauw
Dordrecht
Emmeloord
Goes
Hardinxveld-Giessendam
Kinderdijk
Sliedrecht

Sites - P.R. of China
Shanghai

Sites - Europe

Aberdeen - United Kingdom
Blandford Forum - United Kingdom
Komarno - Slovakia
Riding Mill - United Kingdom
Rijeka - Croatia
Verberie - France

Sites - USA

Houston, TX
Wayne, NJ

Sites - South Africa

Cape Town

Representative Offices

Beijing - P.R. of China
New Delhi - India
St. Petersburg - Russia

Regional IHC Organisations worldwide

Dubai - United Arab Emirates
Kinderdijk - The Netherlands
Lagos - Nigeria
Mumbai - India
Singapore - Republic of Singapore
Tianjin/Tanggu & Guangzhou - P.R. of China



IHC Fundex Equipment B.V.

P.O. Box 83, 4460 AB Goes
Houtkade 50, 4463 AC Goes
The Netherlands

T +31 113 23 29 00
F +31 113 21 26 30
sales@ihcfundex.com / sales.fe@ihcmerwede.com
www.ihcfundex.com / www.ihcmerwede.com